

# RESPONDER SERIES WARNING LIGHTHEAD



170111R4/R6/R7/R9

## Wiring

To +VDC .....**RED**  
(Suggested Fuse Rating: R4@2A / R6@4A / R7@3A / R9@5A)

To -Chassis Ground .....**BLACK**

Low Power .....**WHITE**

For Synchronization, Flash Pattern & Setting: .....**YELLOW**  
Connect **YELLOW** wires of all lighthead together for synchronization  
(all lighthead should be set at the same pattern)

## Flash Pattern Selection:

For Flash Pattern, momentarily apply +VDC to **YELLOW** wire:

- once for next pattern
- quick three times to Flash Pattern #1

**NOTE:** This unit may not be factory-set at Flash Pattern #1

FP#	Flash Patterns
1	Double [2Hz]
2	Single [2Hz]
3	Triple [2Hz]
4	Quad [2Hz]
5	Random
6	Single [SAE, CA13, NFPA]
7	Mega
8	Double [SAE, NFPA]
9	Triple [SAE]
10	Quad [SAE, NFPA]
11	Quint [SAE]
12	Ultra [SAE]
13	Single-Quad
14	Single H/L
15	Single-Triple-Quint
16	Steady*

[All approvals based on actual model ordered]  
\* Display Half Steady in Split Flash Mode.

## Multi-unit Synchronization & Flash Mode:

Each unit may be set to 1 of the 4 different Flash Mode:

i. Simultaneous  
(all) Flash



ii. Top-Down  
Split Flash



iii. Left-Right  
Split Flash



iv. Criss-Cross  
Split Flash



\*Illustration shows LED area only, not the actual number of diodes.

1. Enter **SETTING MODE** by apply +VDC to **RED** and **YELLOW** wires simultaneously.

2. Once in **SETTING MODE**, the unit will display its current:

- All / Split Flash Mode
- and Group in short (single or double) flashes :  
Single flash = Group1  
Double flash = Group2

3. Remove **YELLOW** wire from +VDC then momentarily apply +VDC to change to the desired Flash Mode and Group:

- Heads of the same Group will flash together.
- Heads of the different Group will flash alternately.

4. Once in desired Flash Mode and Group, save and exit **SETTING MODE** by disconnecting all power.

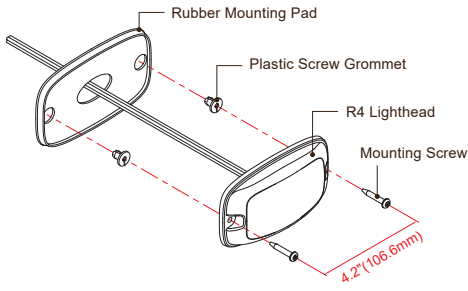
#	FLASH MODES	GROUP
1	All (default)	Group1
2	All	Group2
3	Top-Down Split	Group1
4	Top-Down Split	Group2
5	Left-Right Split	Group1
6	Left-Right Split	Group2
7	Criss-Cross Split	Group1
8	Criss-Cross Split	Group2



# RESPONDER SERIES WARNING LIGHTHEAD

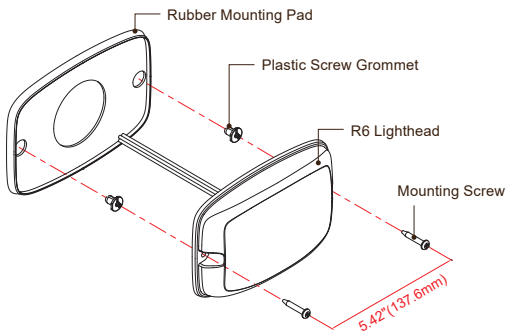
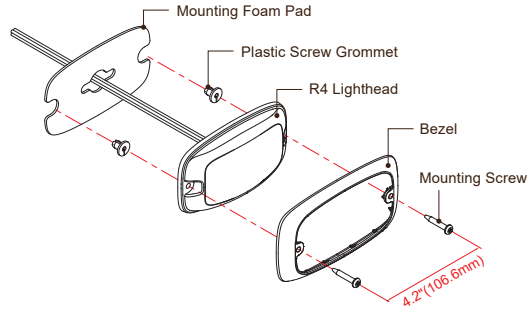
## INSTALLATION

### SURFACE MOUNT W/O FLANGE BEZEL

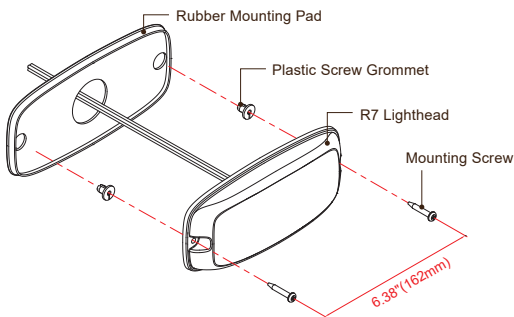
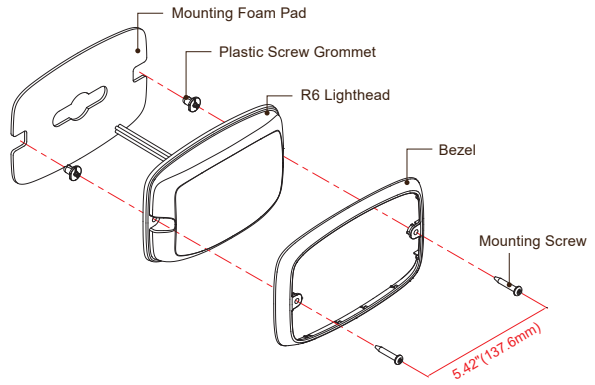


◀ R4 ▶

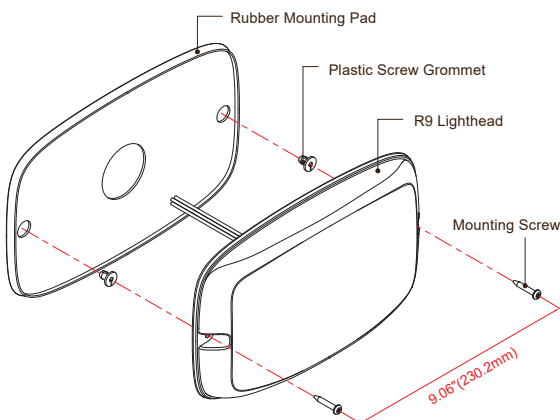
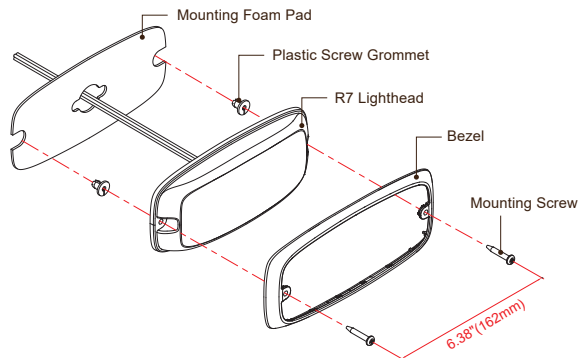
### SURFACE MOUNT W/ FLANGE BEZEL (OPTIONAL)



◀ R6 ▶



◀ R7 ▶



◀ R9 ▶

